

KATTARI
EP7718
 SUSPENSION

PROJECT



EP7718-GH
Graphite



EP7718-WH
White

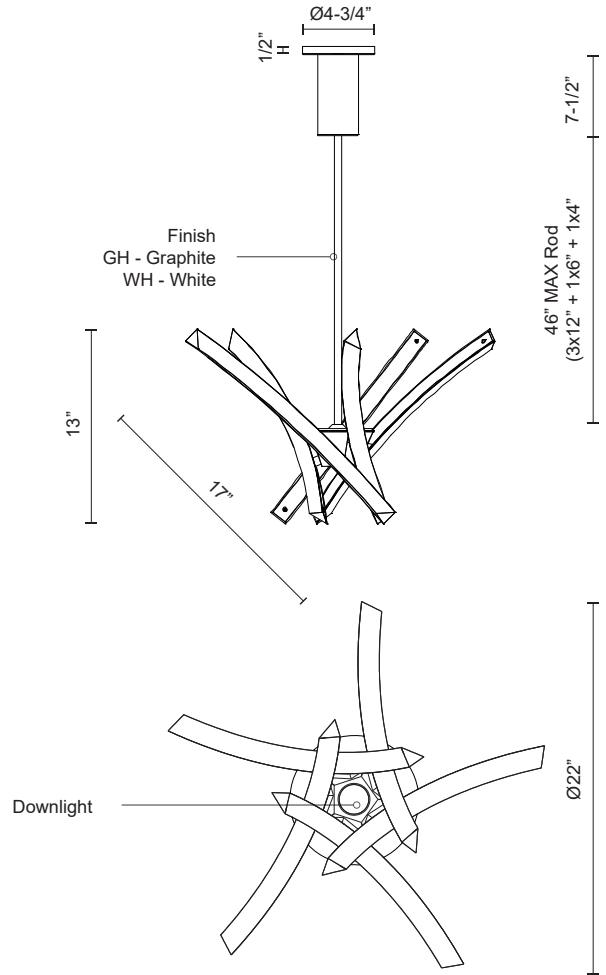
SPECIFICATION DETAILS

* For custom options, consult factory for details.

Fixture Dimensions	D22" x H13"
Light Source	LED with DC Driver
Wattage	68W
Total Lumens	5400lm
Delivered Lumens	GH-2371lm
Voltage	120V
Color Temperature	3000K
CRI (Ra)	>90
Optional Color Temps	2700K – 5000K Available, MOQ May Apply
LED Rated Life	50,000 hours
Dimmable	Yes
Dimming	100% – 10%, ELV or TRIAC dimmer (not included)
Diffuser Details	White PC Diffuser
Adjustable	Yes, Rod
Rod Length	46" Max (3x12" + 1x6" + 1x4")
Location	WET
Warranty	5 Years
Canopy Dimensions	D4-3/4" x H7-1/2"

DESCRIPTION

A seductively curved die-cast arm is emblematic of the outdoor Kattari series. Concealed inset LEDs highlight the flowing geometry and generate an even arc of illumination. While elegant as a wall sconce, the repetition of the organic form within the pendant is stunning.



KUZCO
 CONTRACT

19054 28TH AVENUE
 SURREY - BC V3Z 6M3
 CANADA

WWW.KUZCOCONTRACT.COM

COMMENT

