

START FROM HERE

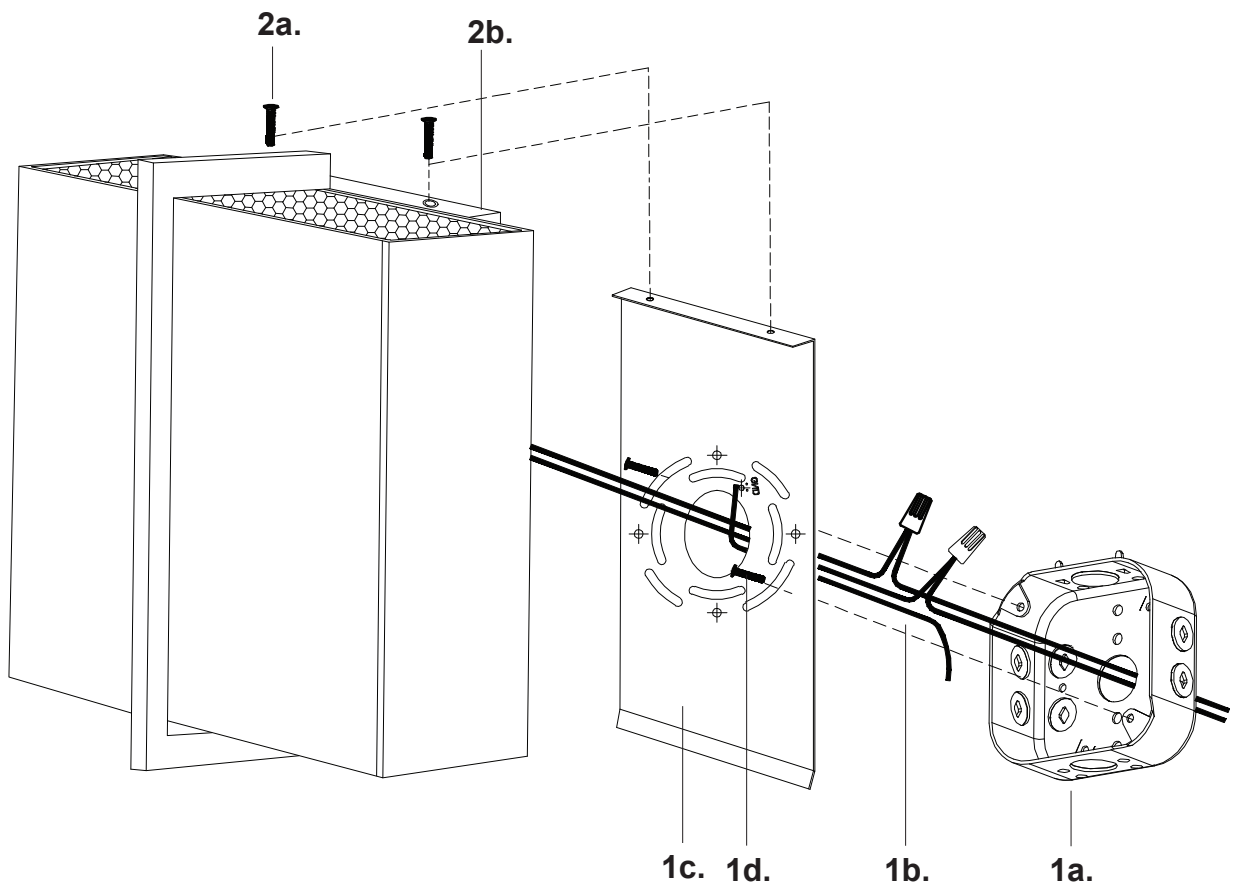
- Make sure power is completely off at the fuse box.
- Have your fixture installed by a qualified licensed electrician
- Prepare everything in a clear area.
- Wear gloves at all times during this installation.
- Read instructions carefully before you start assembly.
- Keep this instruction sheet for future reference.

Technical Support: 1-855-855-8926

Please Note:

- All Kuzco LED fixtures come with pre-wired LED module(s).
- Unless instructed to do so, please do not touch any part of the LED module(s) as any unnecessary contact with the module could cause permanent damage.
- For dimming, an ELV (Electronic Low Voltage) type of dimmer is required.

- 1.** Remove the fixture from its original packaging. Next, remove the mounting plate (**1c**) from within the canopy (**2b**) by removing the screws (**2a**). Secure the mounting bar (**1c**) to the electrical junction box (**1a**) with screws (**1d**) provided in the hardware package.
- 2.** You are now ready to mount the canopy to the mounting bar. First connect all wires (**1b**) correctly black to black "L", white to white "N" and the ground wire with provided marrettes from the hardware package. Push the canopy (**2b**) towards the mounting plate (**1c**) so the holes in the canopy and the mounting plate align. Next, attach the screws (**2a**) and secure the canopy to the mounting plate.
- 3.** You have now completed the installation of your fixture, enjoy.



KUZCO

19054 28th Avenue Surrey, BC Canada V3S 6M3
T: 604 538 7162 TF: 1-855 85 KUZCO F: 604 538 7196
W: kuzcolighting.com
20181030