

# Single Lamp LED Pendant

# LP11252

INSTALLATION SHEET

## START FROM HERE

- Make sure power is completely off at the fuse box.
- Have your fixture installed by a qualified licensed electrician
- Prepare everything in a clear area.
- Wear gloves at all times during this installation.
- Read instructions carefully before you start assembly.
- Keep this instruction sheet for future reference.

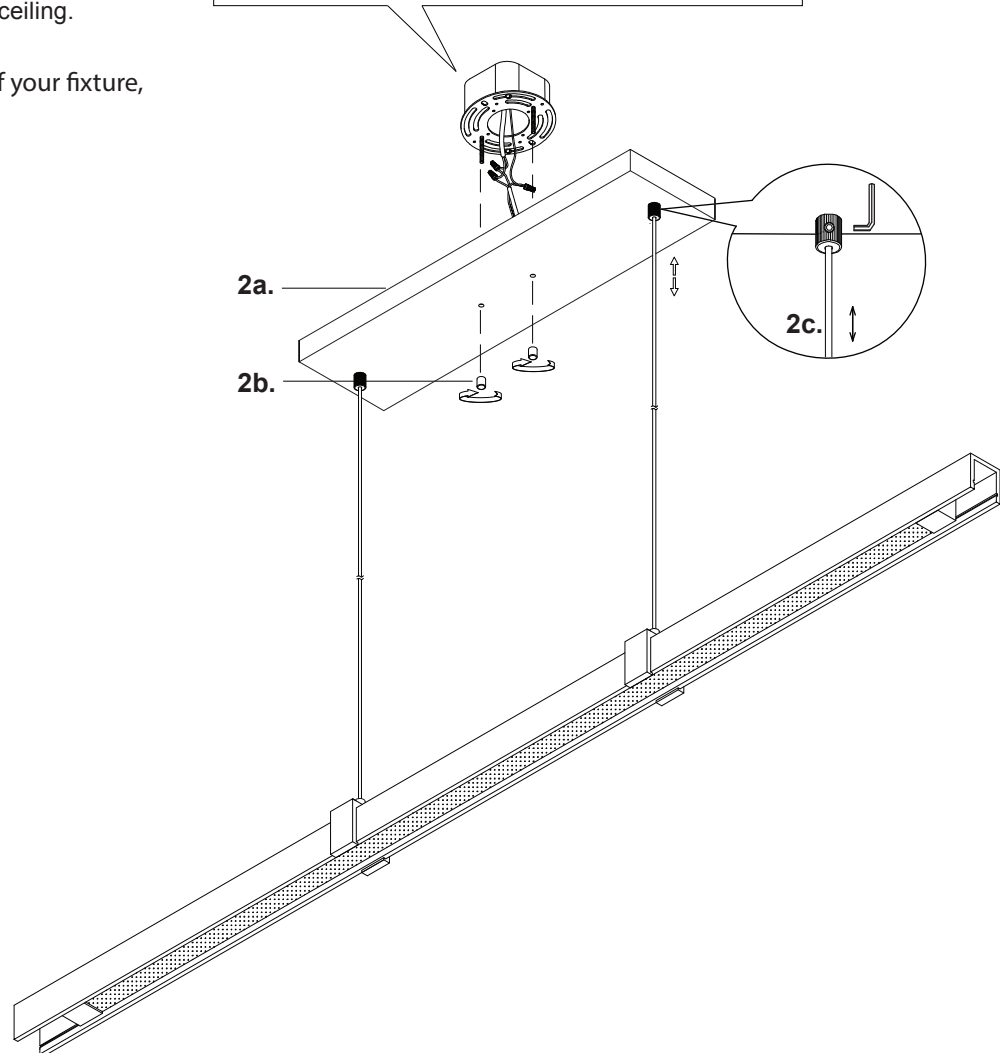
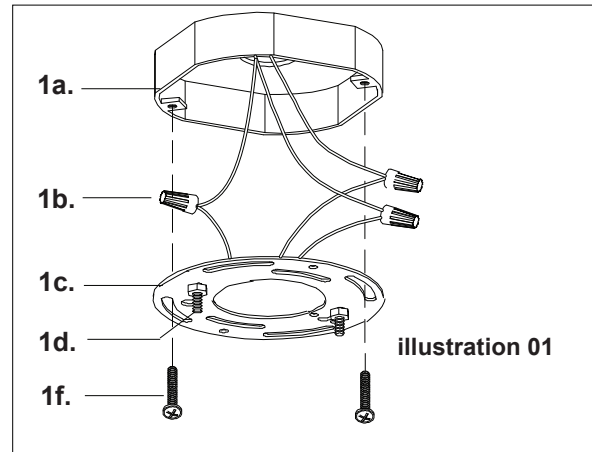
Technical Support: 1-877-452-6858

## Please Note:

- All Kuzco LED fixtures come with pre-wired LED module(s).
- Unless instructed to do so, please do not touch any part of the LED module(s) as any unnecessary contact with the module could cause permanent damage.
- For dimming, an ELV (Electronic Low Voltage) type of dimmer is required.

**CAUTION:** HEAVEY FIXTURE, THE JUNCTION BOX NEEDS TO BE REINFORCED BEFORE INSTALLATION.

- 1.** Remove the fixture from it's original packaging. Remove the canopy mounting plate (**1c**) from within the canopy (**2a**) by removing the decorative nuts (**2b**). Secure the mounting plate (**1c**) (with canopy screws facing downward) to the reinforced junction box (**1a**) with screws (**1f**) see illustration 01.
- 2.** Attach the fixture to the mounting plate, which is attached to the electrical junction box on the ceiling. First attach all wiring with the provided wire nuts (**1b**) (white to white "N", black to black "L", ground to ground "G"). If desired, adjust the cables to a maximum of 72 inches. Loosen the set screws (**2c**) then adjust the cables and tighten when desired length is achieved. Once this is complete you can thread on the decorative nuts (**2b**) to the two threaded studs (**1d**) until the fixture is secured to the ceiling.
- 3.** You have now completed the installation of your fixture, enjoy.



# KUZCO LIGHTING

19054 28th Avenue Surrey, BC Canada V3Z 6M3  
T: 604 538 7162 TF: 1-855 85 KUZCO F: 604 538 7196  
W: kuzcolighting.com  
20161215