

LED Exterior Pendant

EP26608
INSTALLATION SHEET

START FROM HERE

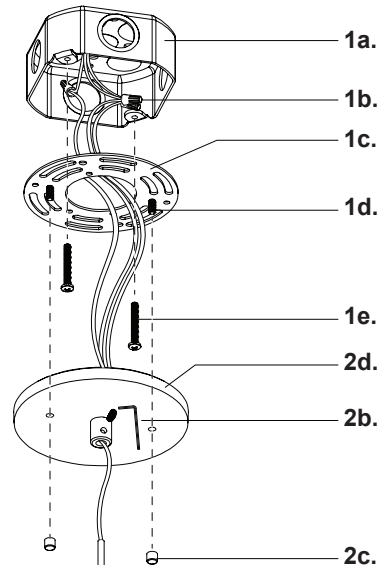
- Make sure **POWER** is **COMPLETELY OFF** at the fuse box
- Have your fixture installed by a qualified licensed electrician
- Prepare everything in a clear area
- Wear gloves at all times during this installation
- Read instructions carefully before you start assembly
- Keep this installation sheet for future reference

Technical Support: 1-855-855-8926

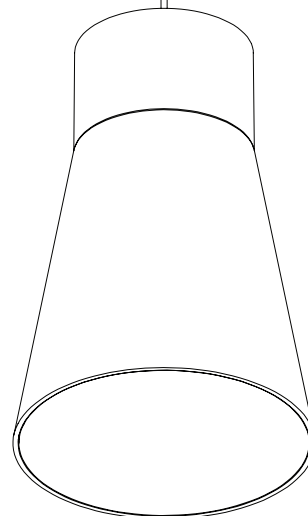
Please Note:

- This Kuzco LED fixture comes with pre-wired LED module(s)
- Unless instructed, Do Not touch any part of the LED module(s) as any unnecessary contact with the module could cause permanent damage
- For dimming, an ELV (Electronic Low Voltage) type of dimmer is required

1. Remove fixture from its original package
2. Separate mounting plate (1c) from canopy (2d) by removing decorative nuts (2c)
3. Align mounting plate screws (1d) to desired orientation, and then attach mounting plate (1c) to electrical junction box (1a) using junction box screws provided (1e) in hardware package
4. To change fixture height, use set screw (2b), slide wire to desired length and tighten with allen key (2b)
5. Make proper electrical connections (black to hot "L", white to neutral "N", ground to "GND") with wire nuts (1b) provided in hardware package
6. Align and insert mounting plate screws (1d) through holes on canopy (2d), secure with decorative nuts (2c)



PRODUCT ID	PART
1e.	XHPP832-8
1c.	XHBCS412-GV
1d.	XHPP832-4
2b.	XHSS832-2
2c.	XHDN832-1/4-(color)
2d.	XHCNPCC-412-38-(color)
LED	XLED-EDC20-830-120-ELV
Allen Key	XHAK-832



KUZCO

19054 28th Avenue Surrey, BC Canada V3Z 6M3
T: 604 538 7162 TF: 1-855 85 KUZCO F: 604 538 7196
W: kuzcolighting.com
20200108